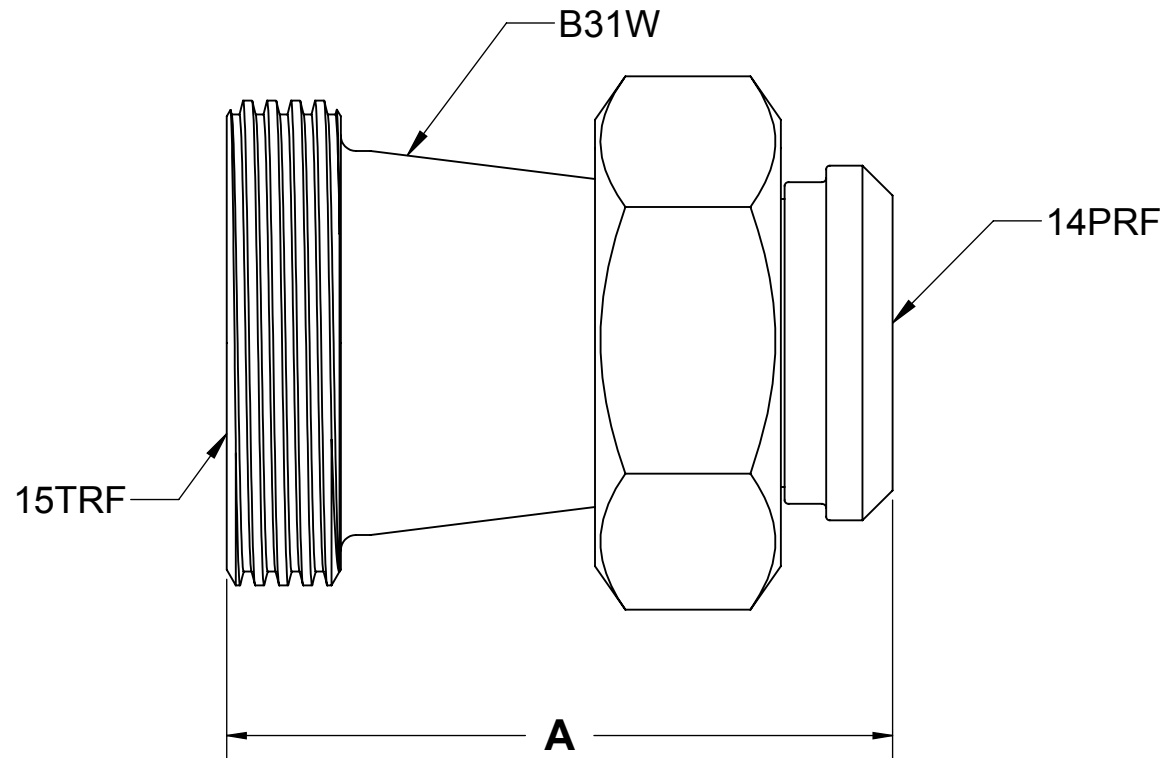
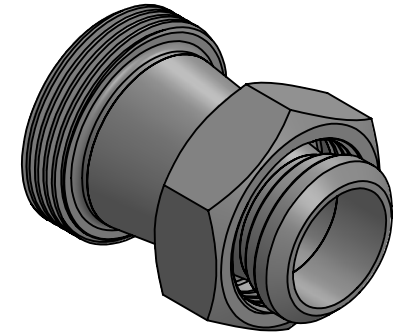


SIZE	UNITS	A
150100	IN	3.4
150100	MM	87
200150	IN	3.5
200150	MM	88
250200	IN	3.6
250200	MM	92
300200	IN	5.7
300200	MM	144
300250	IN	3.8
300250	MM	96
400300	IN	5.9
400300	MM	151



The Right Connection™

PROPRIETARY AND CONFIDENTIAL

This drawing is owned by Dixon Valve & Coupling Co. and shall be returned upon demand. It is loaned on condition that it shall not be copied or reproduced or submitted to others without the owners consent. In accepting it subject to this condition the recipient further agrees that this drawing or any design detail or concept disclosed herein shall not be used in any way detrimental to or in competition with the owner. If the recipient does not agree to the terms of this agreement they shall return this drawing immediately. The information contained in this drawing is subject to change without notice.

DO NOT SCALE THIS DRAWING

DIXON  **U.S.A.**

THE RIGHT CONNECTION™

DESCRIPTION:
THREADED X PLAIN BEVEL SEAT WITH HEX NUT CONCENTRIC REDUCER

MATERIAL(S):
304 STAINLESS

PART NUMBER:
B31TP